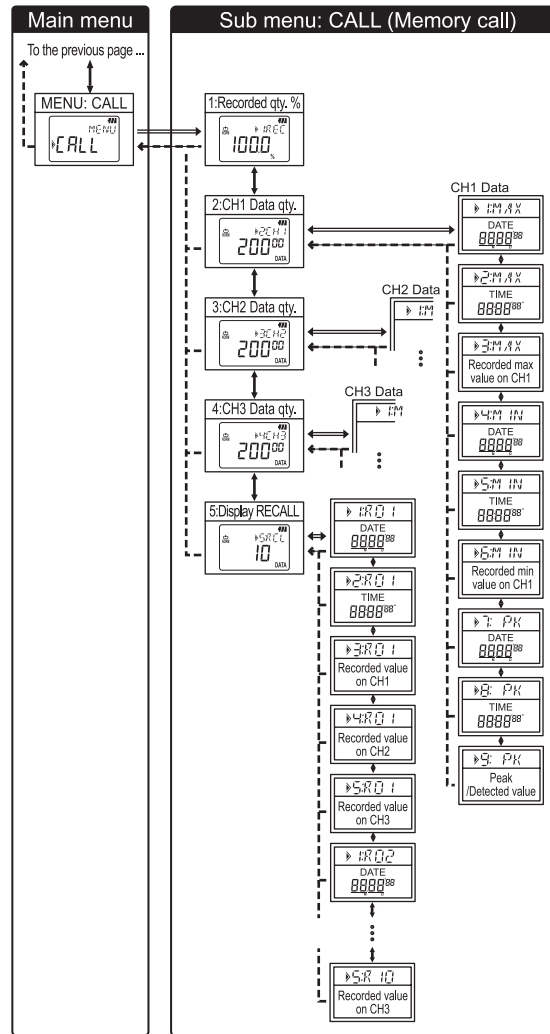
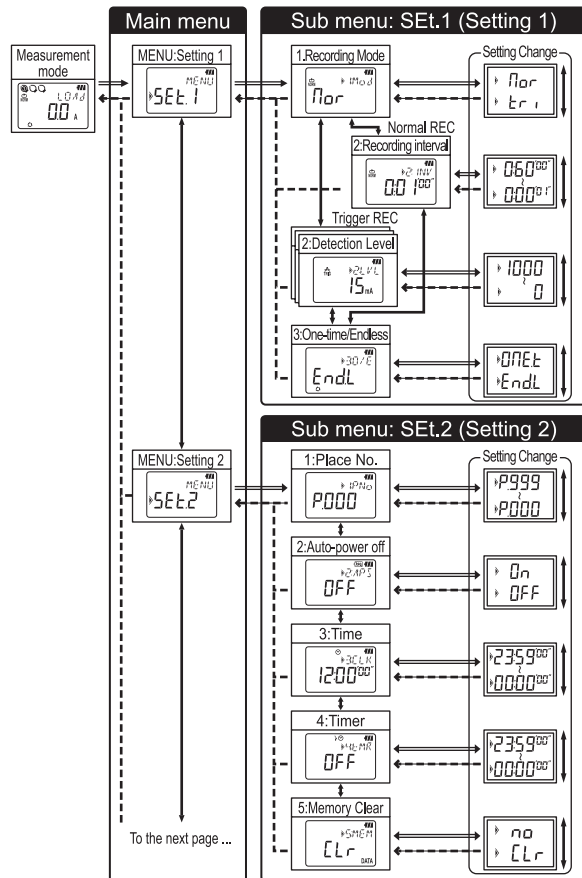
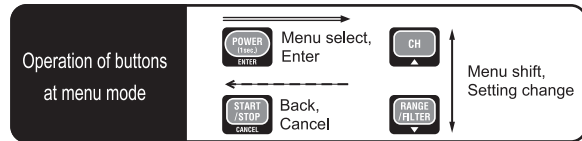


KEW LOGGER SERIES Quick Manual

Current Logger KEW 5010
 Current & Voltage Logger KEW 5020

△ Read through and understand the Safety Warnings in this manual before using the instrument.

(1) Menu configuration



KYORITSU ELECTRICAL INSTRUMENTS WORKS, LTD.
 TOKYO, JAPAN

SEE 1 (Setting1) Setting items

- 1.[Mod] Recording mode
 [Nor]: Normal REC, [Tr]: Trigger REC
 (*Setting via PC --- [CAP]: Capture REC, [PQA]: PQA REC)
- 2.Recording Conditions
 - ◆ [INV] Recording interval (Normal REC mode)
 1 sec. to 60 min. : 15-kind in total
 - ◆ [LVL] Detection level (Trigger REC mode)
 Set the Detection Level from 0 upto 1000.
 (Unit varies on the connected sensors.)
- 3.[O/E] Onetime/Endless
 Onetime(ONE.t): Recording stops when memory becomes full.
 Endless(End.L): Overwrite the old data, and store the latest data.

SEE 2 (Setting2) Setting items

- 1.[:PNo] Location no.
 Selectable between "P.000" and "P.999".
- 2.[:APS] Auto-power-off (3min.)
 Select "ON" to activate Auto-power off; "OFF" to disable it. Power off the instrument after use. (This function doesn't power off the instrument during recordings.)
- 3.[:CLK] Time
 Can set hour and minute.
- 4.[:tMR] Timer
 Pressing the [START] button initiates a recording when pre-set time comes.
- 5.[:MEM] Memory Clear
 Clear the recorded data. Press the [ENTER] button with "no" indication on the LCD, then press the [DOWN] button to select "CLR". Pressing the [ENTER] button clears the data.

CALL (Recall) Reference items

- 1.[1.REC] Recorded quantity
 The ratio of the recorded quantity in the memory capacity. (%)
- 2.[2:CH1] Number of recorded data at CH1 (current memoryblock)
 Pressing the [ENTER] button displays Max, Min and Peak values (or detected) with time and date information.
- 3.[3:CH2] Number of recorded data at CH2 (current memoryblock)
 Pressing the [ENTER] button displays Max, Min and Peak values (or detected) with time and date information.
- 4.[4:CH3] Number of recorded data at CH3 (current memoryblock)
 Pressing the [ENTER] button displays Max, Min and Peak values (or detected) with time and date information.
- 5.[5:RCL] RECALL
 Pressing the [ENTER] button displays the latest recorded data and the preceding 9 data, [R1] to [R10], with time / date information and each recorded values.

